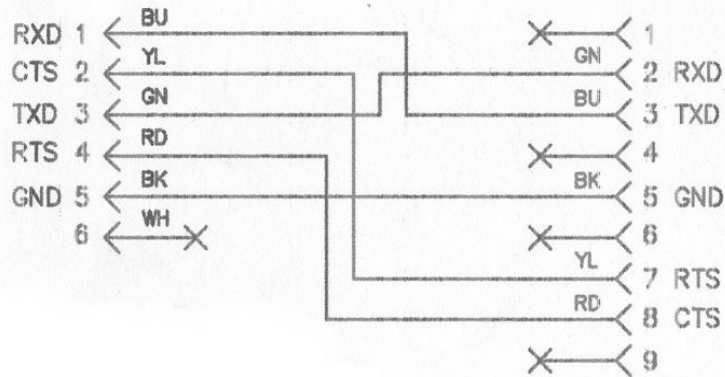
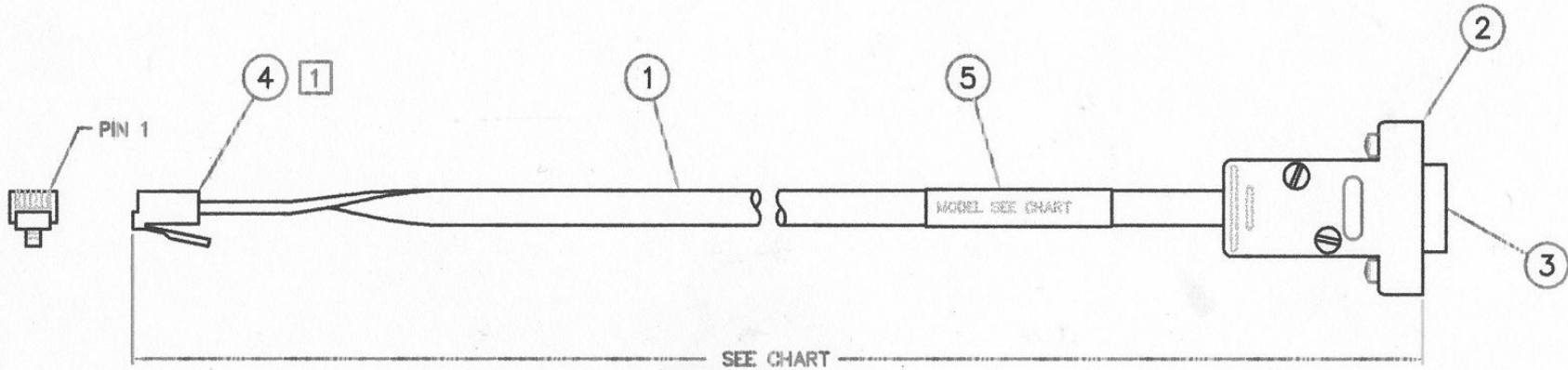


NOTES :

1 PHONE CRIMP TOOL



299230-78300	30 ft.
299230-78100	10 ft.
299230-78040	4 ft.
PART NO.	LENGTH

1	5	26-10-20300	T20300A, MARKMK, 3/8" SHRNK LBL
1	4	25-40-8000	6-841337-2, AMP, 6 POS MOD PHONE
1	3	25-20-1960	DE9S AMPHENOL RECEPTACLE
1	2	26-20-1973	17-1587-08 AMPH HOOD, 9 POS. D
SEE CHART	1	22-10-0400	30-9934, GC 6COND TELEPHONE
X	X	299230-78100	8, CABLE, DB9F TO RJ11 COMM
QTY REQ'D	ITEM NO.	PART NO.	DESCRIPTION/MATERIAL